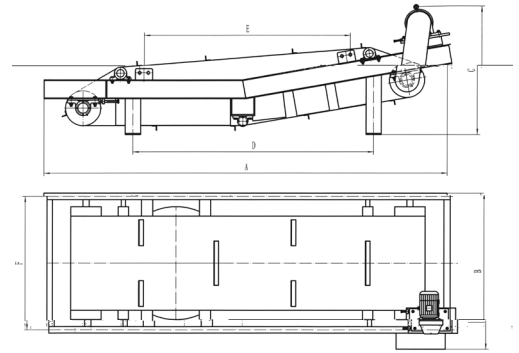


HTK



	mm	kW	kW	kW	mm	kW		mm						kg
								A	B	C	D	E	F	
HTK- 6	650	2	5	4.8	500	3.0	JYG- B- 650	3150	1050	980	1800	1700	858	1450
HTK- 8	800	3	9	7.5	650	4.0	JYG- B- 800	3500	1220	1180	2000	1600	988	2100
HTK- 10	1000	4.6	13	10.8	800	5.5	JYG- B- 1000	3750	1380	1280	2100	1750	1196	2920
HTK- 12	1200	5	18	15	1000	5.5	JYG- B- 1200	4240	1660	1370	2530	2165	1418	3900
HTK- 14	1400	6.5	25	18	1200	7.5	JYG- B- 1400	4450	1750	1500	2800	2450	1520	5150
HTK- 16	1600	8	32	27	1400	11	JYG- B- 1600	4650	2000	1600	3150	2600	1755	5900
HTK- 18	1800	9.5	45	36	1600	15	JYG- B- 1800	4920	2180	1750	3450	2850	1950	8700
HTK- 20	2000	10.6	50	42	1800	15	JYG- B- 2000	5100	2360	1800	3620	3200	2150	11500

( )

